

Shut-off check valve combination 5170

- Dezincification resistant brass
- 22CU compression fittings
- Mixing valve
- Check valve



Description

Shut-off check valve combination.

Construction

Shut-off check valve combination with mixing valve. Connection four compression fittings 22CU. Possibility to connect a safety valve and/or vacuum valve. Integrated check valve and possibility to connect a safety valve and/or vacuum valve. Seal in EPDM.

Marking

Shut-off check valve: CR, flow direction arrow. Flow control and manufacturer indicated on hand wheel.

Mixing valve: CR, arrows showing inlet warm, inlet cold and outlet mixed water. Manufacturer's logotype and temperature control on hand wheel.

Maintenance

Shut-off check valve combinations are normally maintenance-free, but should be checked periodically.

Installation

Tighten nuts with a fixed spanner or wrench according to the prescribed installation instructions. Support sleeves must be used for all pipe types.

In case of installation other than image above, compression fitting is used on the tube end of the mixing valve.

Technical data

Shut-off check valve

Body	Dezincification resistant brass CW625N
Seat ring	EPDM
Stem gasket	EPDM

Mixing valve

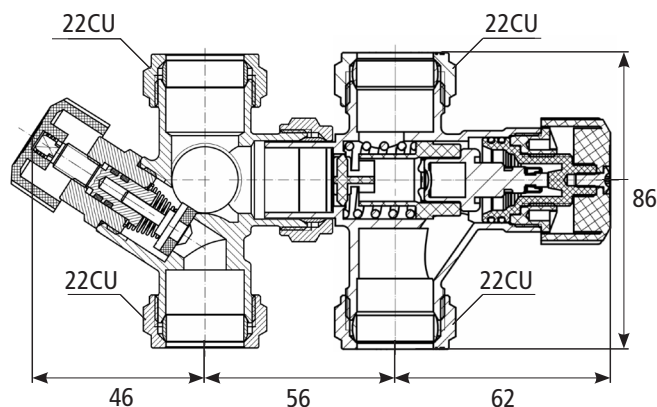
Body	Dezincification resistant brass CW625N
O-ring	EPDM

Maximum working pressure: 10 bar

Maximum working temperature: +90°C

Minimum working temperature: +2°C

Control range +35 to +65°C ±5%



Item number	Description	Connection	Length	Height	Weight (kg per piece)
0551700000	Shut-off check valve combination 5170, 22CU	22CU	164	86	0,73

All dimensions in millimetres

Subject to technical changes and corrections without notice